

Replacement of handle, VELFAC IN Tilt and Turn window and casement door



Aluminium handle



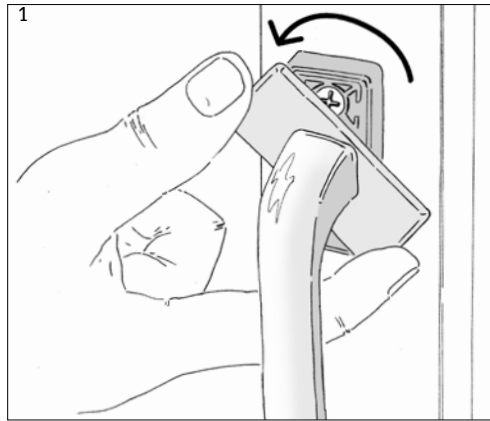
Aluminium handle with lock



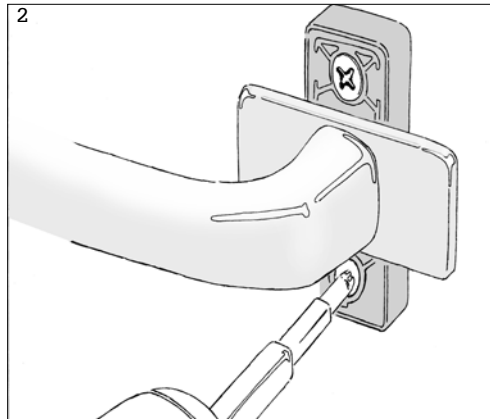
Aluminium handle with child-lock



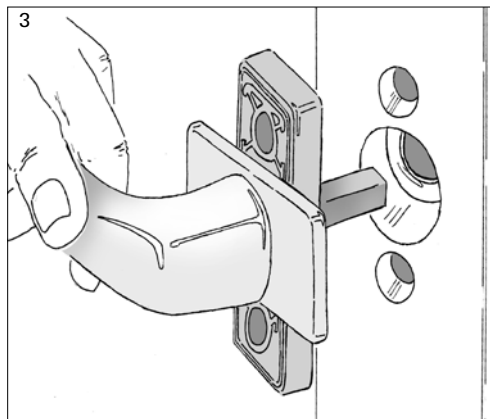
Aluminium handle with lock, key operated turn function (TBT)



Pull the cover plate out and turn it 90°.



Turn the handle into horizontal position. Unscrew the Pozidrive screws and pull the handle out.



Insert the new handle, tighten the screws and turn the cover plate back into position.

N.B. Aluminium handle with child-lock: The longer screws and the handle with a longer pin must be used. Otherwise the handle may fall out. Screws and handle are supplied together with the child lock.