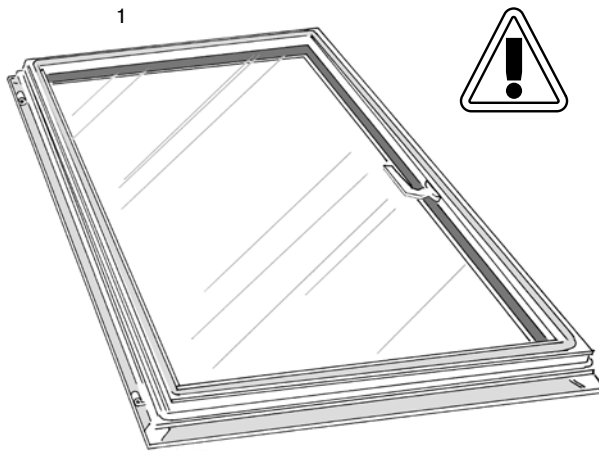


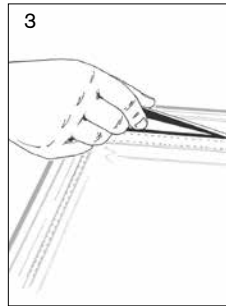
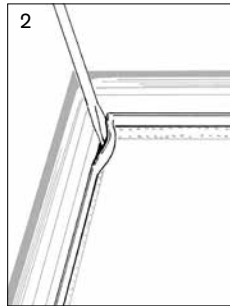
Fitting of a PN-fitting

(VELFAC 200 alu / VELFAC 200i / VELFAC 200 ENERGY)

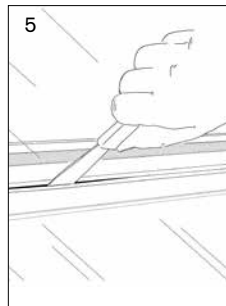
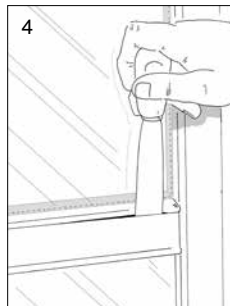


Dismount the frame with the glazing installed (please refer to VELFAC Installation guide and the description of the relevant opening function, or contact VELFAC and ask for specific instructions).

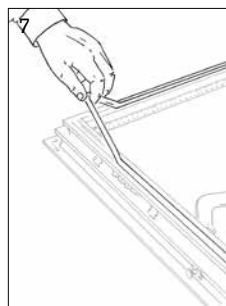
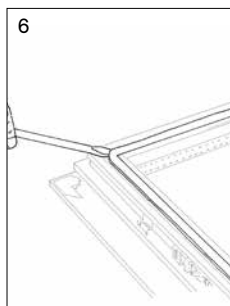
Place the sash on two trestles.



Detach the internal glazing gasket (2) and strip it off (3). Start at the top corner where the gasket joint is.



Glazing bars: Insert a putty knife behind the internal cover cap (4), move it along the glazing bar (5) and detach the cover cap.



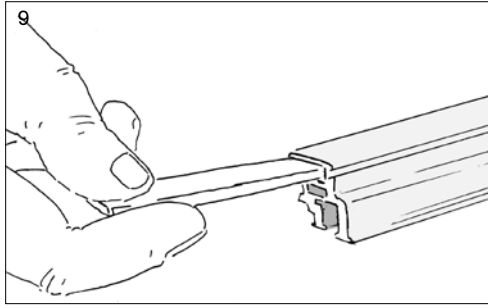
Prise the weather strip loose (6) and strip it out free of the side of the sash, where the PN-fitting is going to be installed (7).

Press the glazing bead loose and pull it out (8).

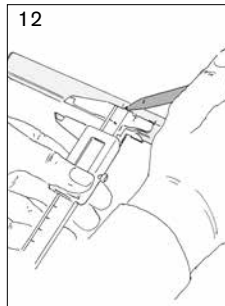
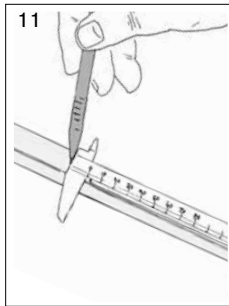
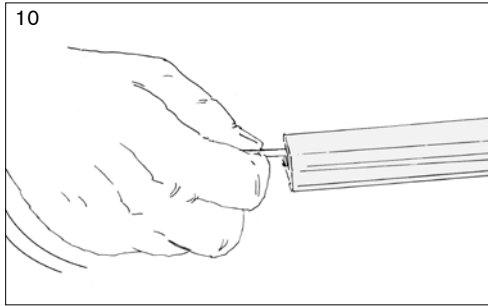


Windows with glazing bars: Please be careful, once the glazing beads have been removed, more glass sections may work loose.

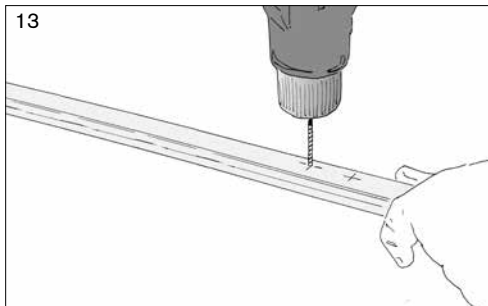




Push the pressure distribution plate 8cm up at the bottom of the glazing bead using a long, thin screwdriver or the like.



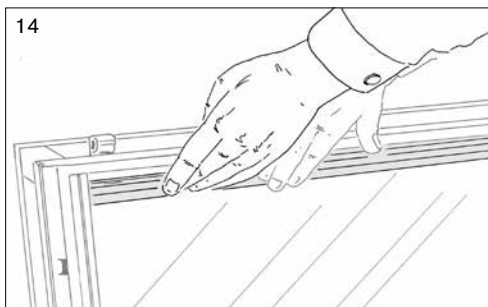
Mark out screw holes on the glazing bead in accordance with the installation drawing.



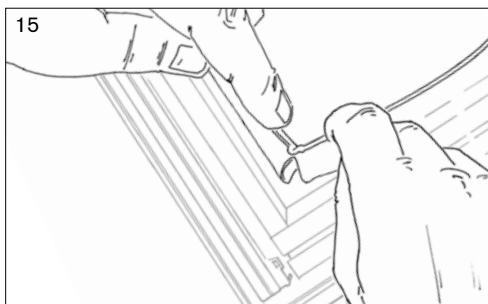
Pre-drill holes (Ø2.5mm).



Tip: Soften the gaskets and weather strips with soapy water.

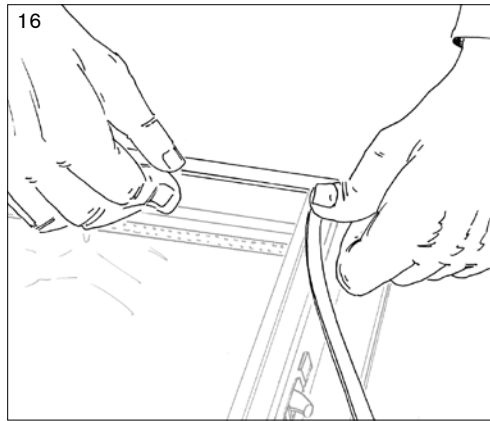


Click the glazing beads into position.



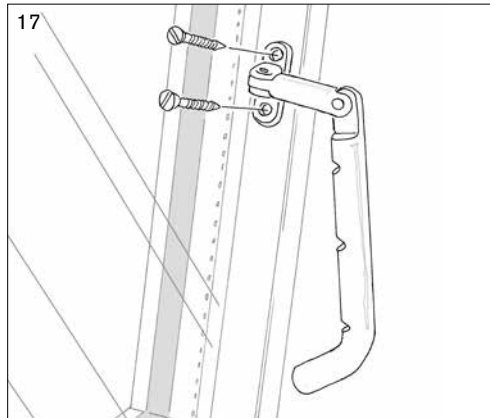
Press the glazing gasket in, starting at the corners and then proceeding on the sides. Be careful not to twist the gasket.

VELFAC®

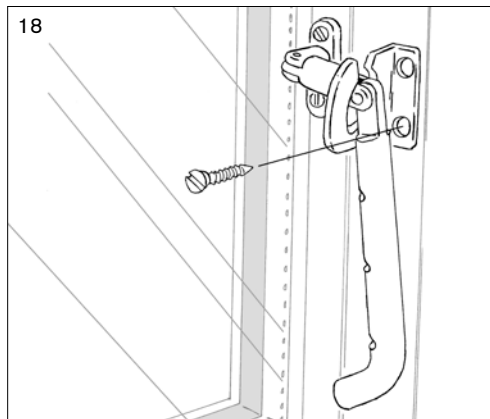


Attach the weather strip, starting at the top, then proceed to the corners and sides.

Now re-install the sash.



Fasten the bar part of the PN-fitting using four 13mm screws.



Finally, mark out screw holes on the frame to ensure correct positioning of the fitting as compared with the bar part.

Pre-drill holes (Ø 3mm). Fasten the frame part using four 30mm screws. Place the bar into the hook and check that the fitting works satisfactorily.

Installation drawing

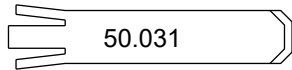
PN-fitting, VELFAC 200 systems



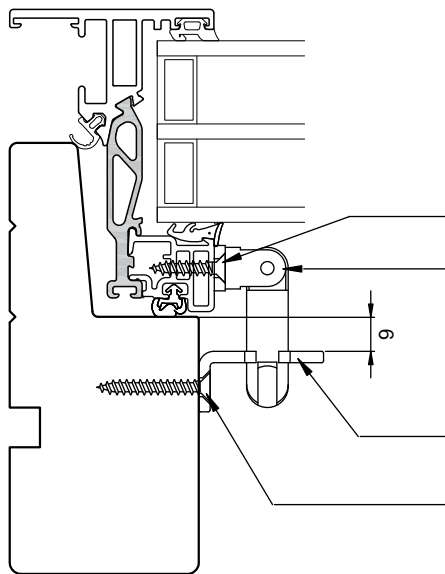
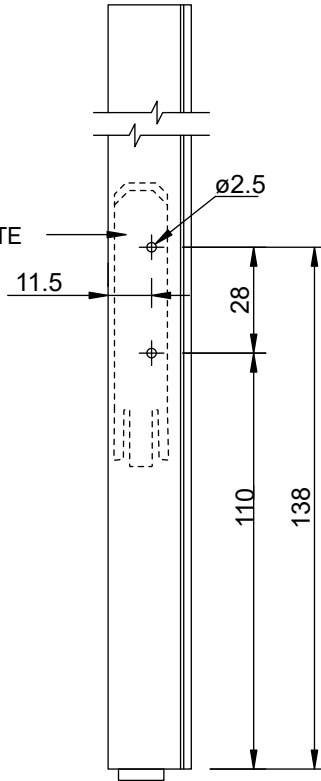
Installation of pressure distribution plate and marking out of screw holes on the glazing bead.



PRESSURE DISTRIBUTION PLATE



PRESSURE DISTRIBUTION PLATE

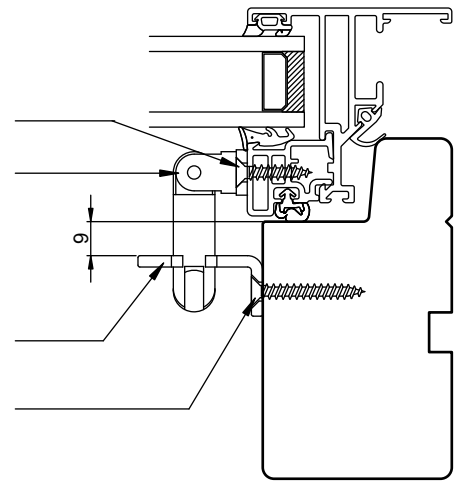


DACROMET SCREWS
4 X 13 US

RESTRICTOR FITTING

CONNECTOR

DACROMET SCREWS
TWO 4 X 13 US



VELFAC 200 ENERGY

VELFAC 200 alu + VELFAC 200i