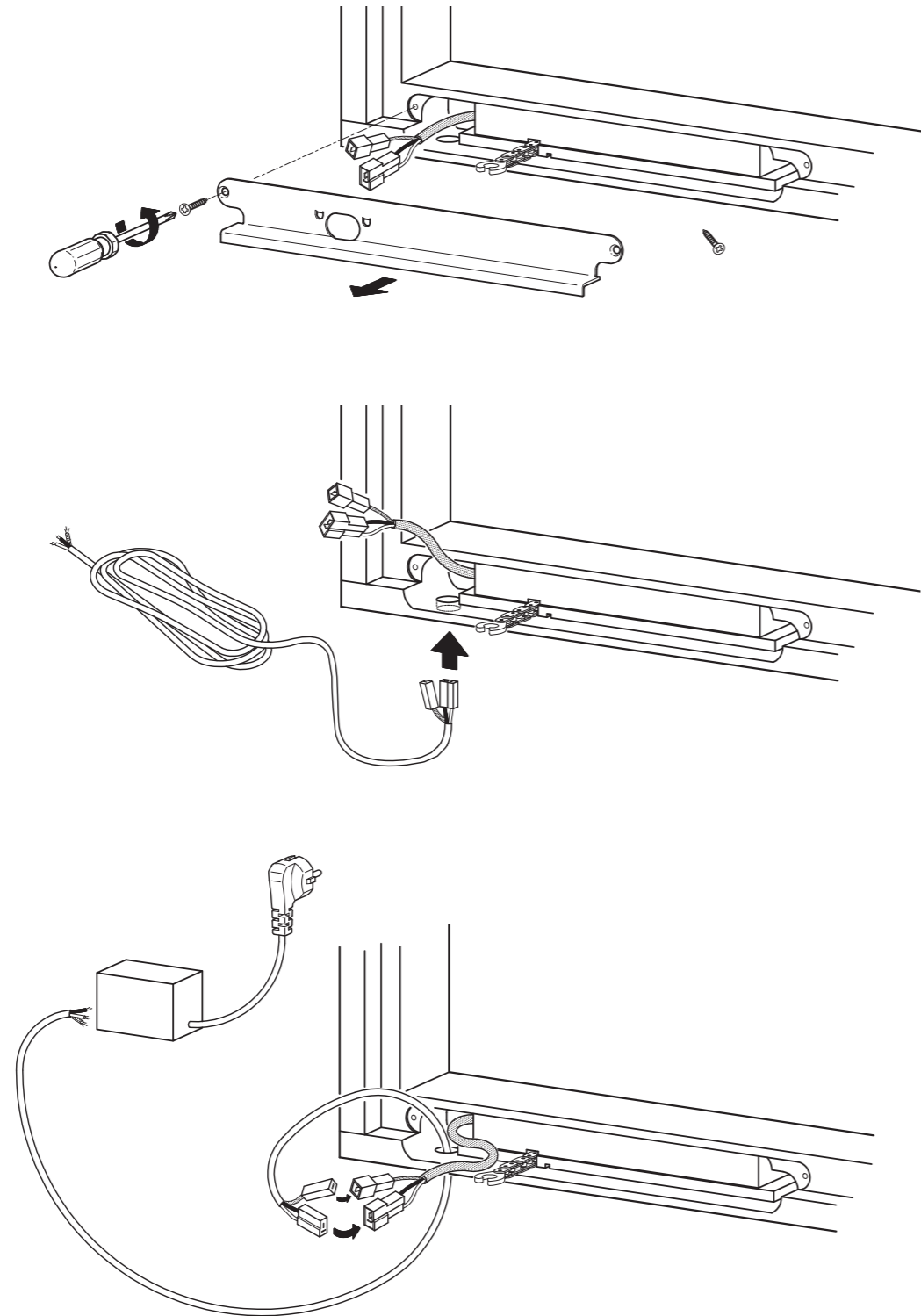
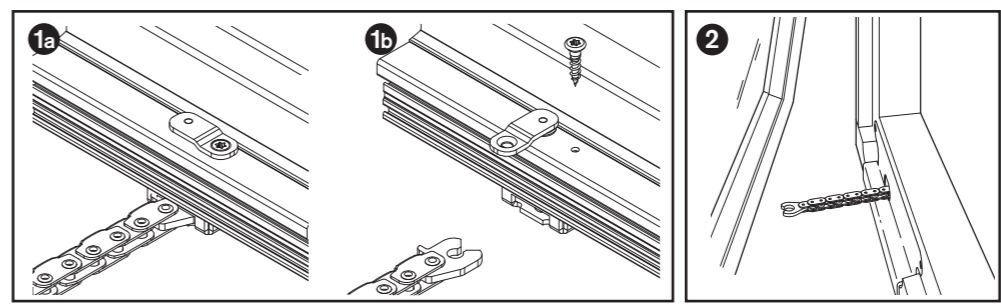


WindowMaster - snap plug and cables  
 WindowMaster - snapstik og ledninger  
 WindowMaster - snabbkontakt och ledningar  
 WindowMaster - Stecker und Kabel

One motor:  
 En motor:  
 En motor:  
 Ein Motor:

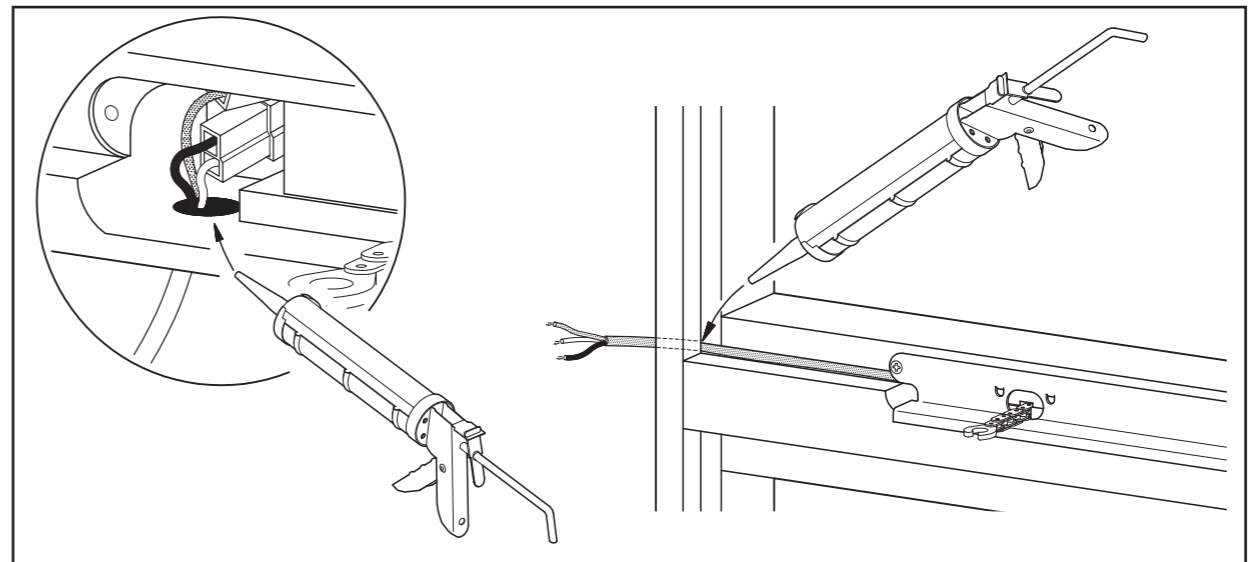
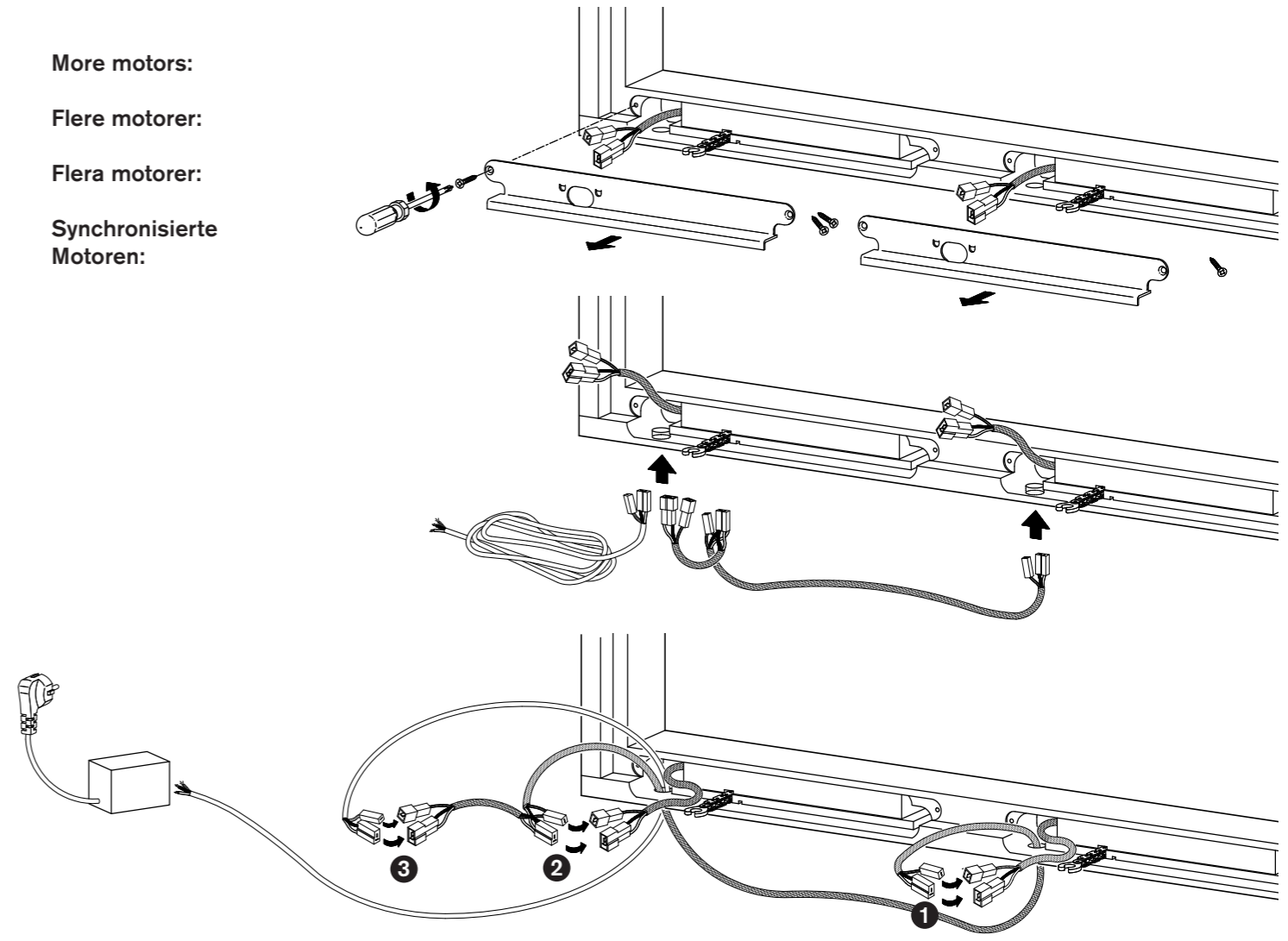


1. First open the window, then disconnect the chain (4x20 US screw):



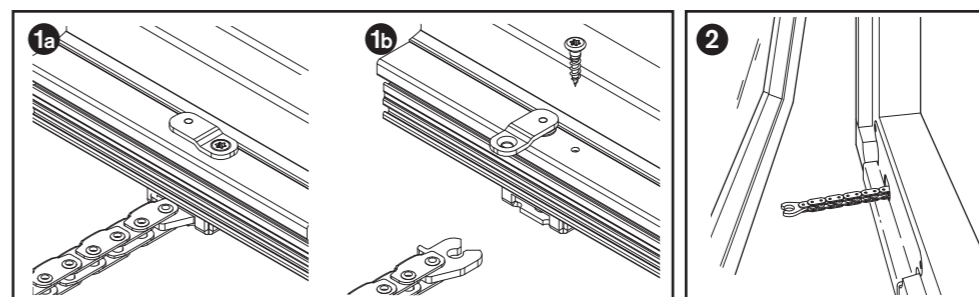
2. To reconnect the chain, power the chain out to meet the sash.

More motors:  
 Flere motorer:  
 Flera motorer:  
 Synchronisierte Motoren:



WindowMaster - ceramic plug and cables  
 WindowMaster - keramisk stik og ledninger  
 WindowMaster - keramisk kontakt och ledningar  
 WindowMaster - keramische Stecker und Kabel

1. First open the window, then disconnect the chain (4x20 US screw):



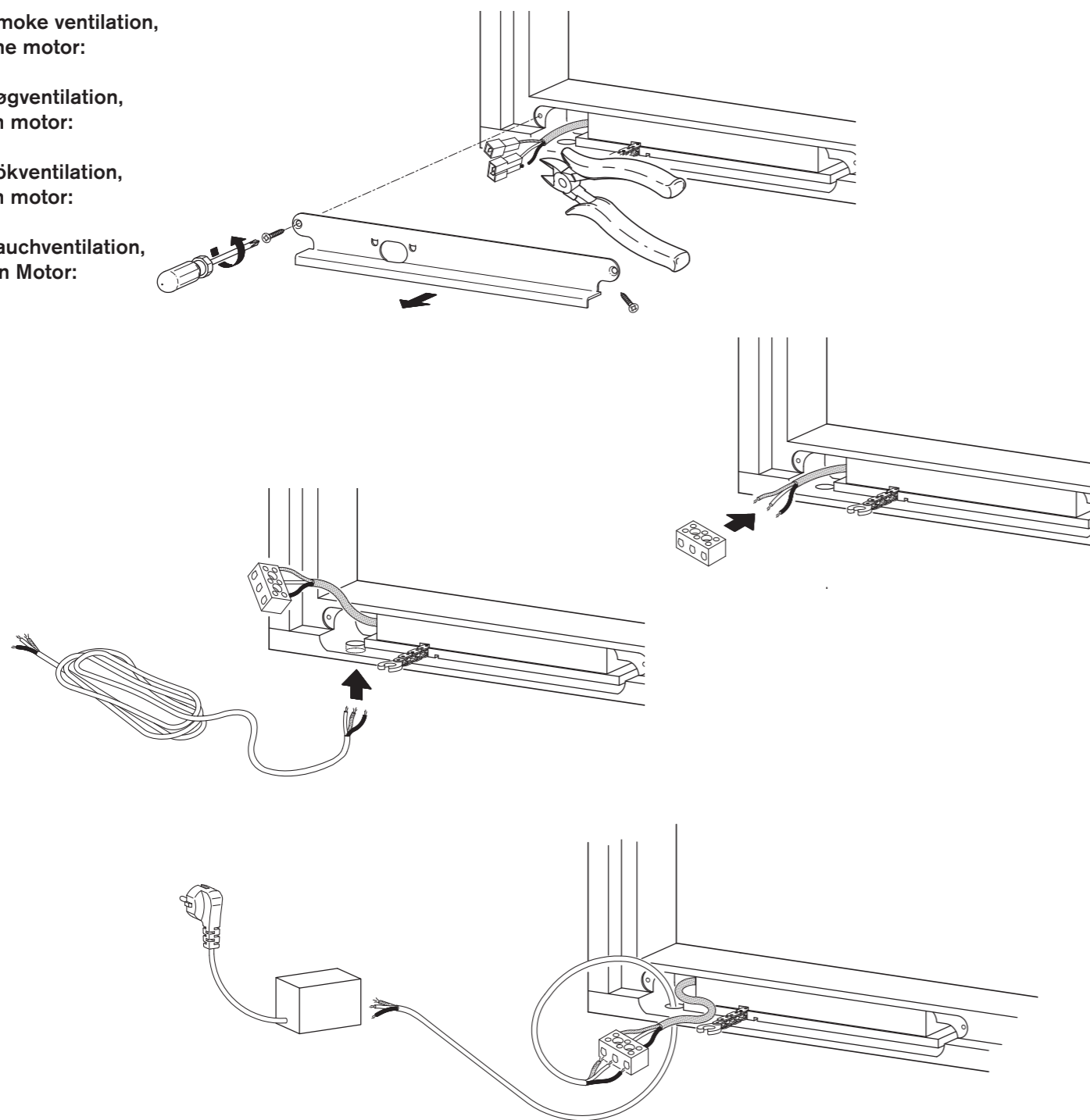
2. To reconnect the chain, power the chain out to meet the sash.

Smoke ventilation,  
one motor:

Røgventilation,  
en motor:

Rökventilation,  
en motor:

Rauchventilation,  
ein Motor:



Smoke ventilation,  
more motors:

Røgventilation,  
flere motorer:

Rökventilation,  
flera motorer:

Rauchventilation,  
synchronisierte  
Motoren:

